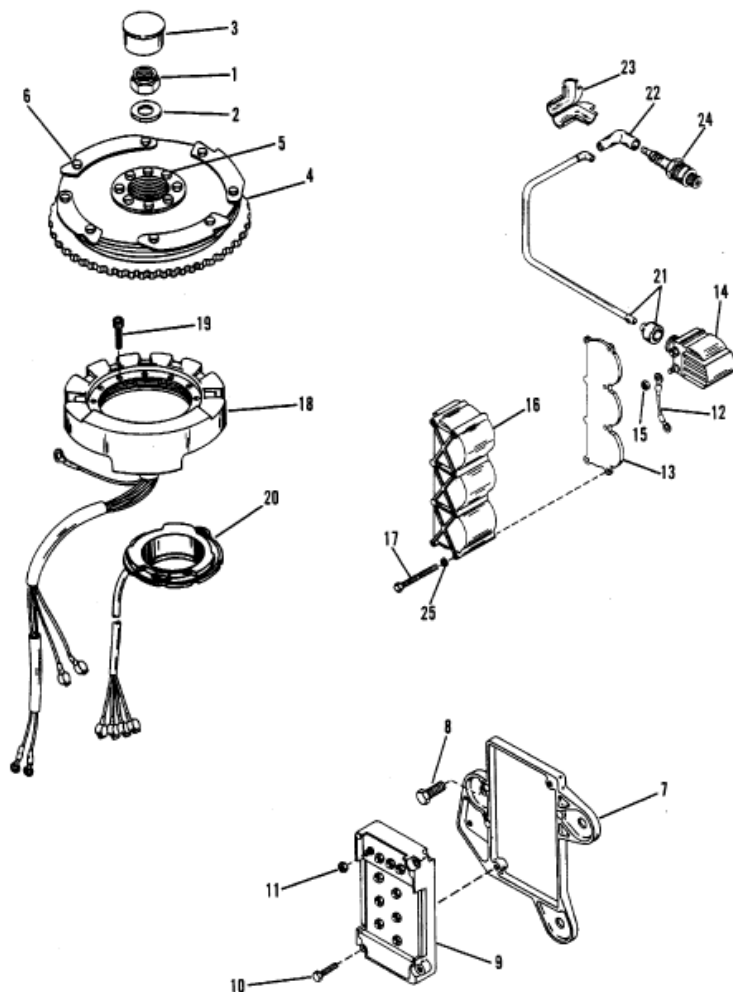


Parts List



Ref	Class	Part	Description	Qty	Comment	Footnote
1	11	52901	NUT, FLYWHEEL	1		
2	12	68229	WASHER, FLYWHEEL NUT	1		
3	19	45907	PLUG, FLYWHEEL PULLER THRE	1		
4	248	8722A 5	FLYWHEEL ASSEMBLY	1		
5	10	68997	SCREW, PLATE/HUB (3/4")	8		
6	10	32417	SCREW, FLEXIBLE PLATE TO F	8		
7		88935	PLATE, SWITCH BOX	1		
8	10	59645	SCREW, SWITCH BOX PLATE (3/	3		
9	332	7778A 3	SWITCH BOX ASSEMBLY	1		
10	10	12463	SCREW, SWITCH BOX TO PLATE	2		
11	11	45076	NUT, SWITCH BOX TERMINAL	10		
12	84	60443A 3	WIRE ASSEMBLY, SWITCH BOX	1		
12	84	62822A 1	WIRE ASSEMBLY, SWITCH BOX	1		
12	84	68896A 4	WIRE ASSEMBLY, SWITCH BOX	1		
12	84	88807A 9	WIRE ASSEMBLY, SWITCH BOX	3		
13		73439	PLATE, MOUNTING - IGNITION C	1		
14	339	7370A13	IGNITION COIL ASSEMBLY	3		
15	11	45076	NUT, IGNITION COIL TERMINAL	6		
16		43542	COVER, IGNITION COIL	1		
17	10	92399	SCREW, COVER TO MOUNTING	6		
18	398	5704A 7	STATOR ASSEMBLY	1		
19	10	63136	SCREW, STATOR TO UPPER EN	4		
20		96455A 8	TRIGGER PLATE ASSEMBLY	1		
21	84	99215A25	WIRE ASSEMBLY, SPARK PLUG	3		
22	85	63709A 1	PROTECTOR ASSEMBLY	3		
23		99213	SHEEL, SPARK PLUG BOOT	3		
24	33	97180	SPARK PLUG (NGK-BUHW)	3		
24	33	68098	SPARK PLUG	3	(CHAMPION#QL-76V)/CANADA /	
25	12	30164	WASHER, COIL COVER SCREW	6		